



Features

- Rugged ceramic-metal construction
- Short delay times
- Miniature size
- High reliability

Applications

- High current surge generators
- Military ordnance
 - Exploding bridge wires
 - Exploding foil initiators
 - Slapper detonators
 - Electronic safe and arm
- Crowbars
- Flashlamp triggers
- Rocket motor ignitions
- Missile stage separation
- Furnace ignitions

Standard Voltages

Series	Main Static Breakdown Voltage (Nom)	Unit
TX	2.5	kV
	4.5	kV
	7.5	kV
	10.0	kV

Devices in the TX Series with other main static breakdown voltages in the 2.0-10.0kV range are available upon request.

Description

The TX is a series of miniature triggered spark gaps designed for high reliability switching with Main Static Breakdown's between 1.0 and 10.0kVdc and are available at relatively low cost. This series of gaps is capable of switching stored energy in a fraction of a microsecond upon command. Trigger gaps use no standby power, are extremely rugged and require only a low energy high voltage trigger pulse. They are hermetically sealed at high braze temperatures and will withstand rugged environmental conditions.

Ordering Information

A complete part number is represented by the digits below. Main static breakdown voltages are expressed in kV. For example, TX4.5L-01 is a 4.5kV TX series device with outline 01 and standard energy rating while TX10.0L-05M is a 10kV TX series device with outline 05 and high energy rating.

Product Series / Part Numbers	Main Static Breakdown Voltage	Outline	Energy Rating Options*
TXX.XL-XXX	1.0-9.0kV	01, 02, 05, S	M
TXXX.XL-XXX	10.0kV	01, 02, 05, S	M

*Energy Rating Options

Blank: Standard

M: High (This option is only available with outline 05)

Specifications (@25°C)

Parameter	Conditions	Symbol	TX2.5			TX4.5			Units
			Min	Nom	Max	Min	Nom	Max	
Device Specifications									
Main Static Breakdown Voltage	100V/s	E_Z	2.25	2.50	2.75	4.05	4.50	4.95	kV
Applied Voltage		E_{bb}	1.25	-	2.00	2.25	-	3.60	kV
Trigger Voltage ⁽¹⁾	$t_r = 0.5\mu s$ PW = 3.0 μs	E_{trig}	3.10	-	1.80	3.50	-	2.00	kV
Life Ratings									
Discharge Life ⁽²⁾	5,000A Pulse Energy (0.7 Joules)	-	10,000	-	-	10,000	-	-	shots
Pulse Energy ⁽³⁾		-	-	1.6	-	-	1.6	-	J
Cumulative Charge	Coulomb Rating	-	-	10	-	-	6	-	Q

Specifications (@25°C)

Parameter	Conditions	Symbol	TX7.5			TX10.0			Units
			Min	Nom	Max	Min	Nom	Max	
Device Specifications									
Main Static Breakdown Voltage	100V/s	E_Z	6.75	7.50	8.25	9.00	10.0	11.0	kV
Applied Voltage		E_{bb}	3.75	-	6.00	5.00	-	8.00	kV
Trigger Voltage ⁽¹⁾	$t_r = 0.5\mu s$ PW = 3.0 μs	E_{trig}	3.90	-	2.00	4.70	-	2.00	kV
Life Ratings									
Discharge Life ⁽²⁾	5,000A Pulse Energy (0.7 Joules)	-	10,000	-	-	10,000	-	-	shots
Pulse Energy ⁽³⁾		-	-	1.6	-	-	1.6	-	J
Cumulative Charge	Coulomb Rating	-	-	3	-	-	2.5	-	Q

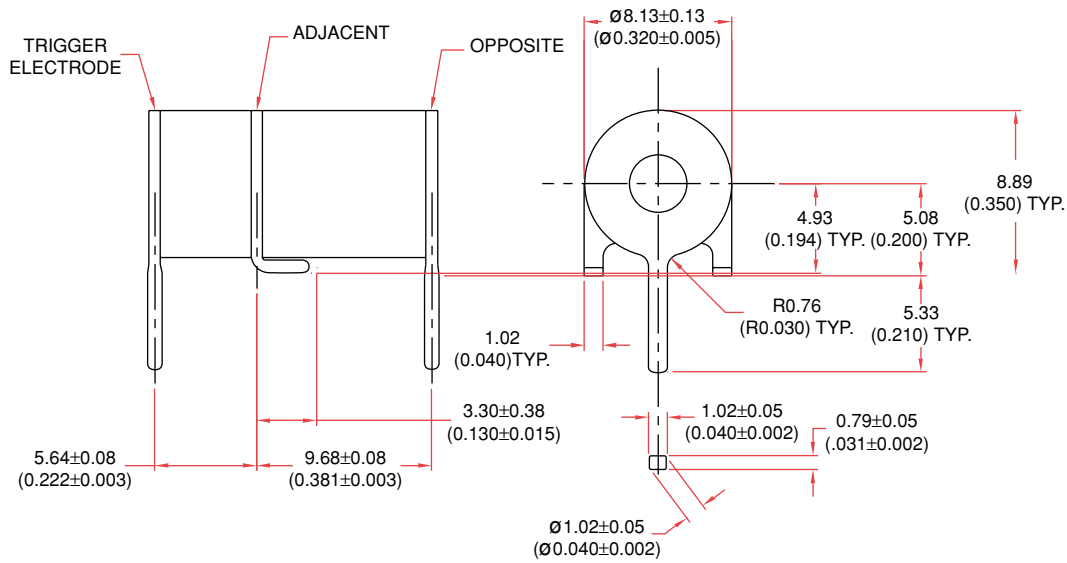
⁽¹⁾ The trigger voltages given in these tables are the minimum triggering voltages necessary for triggering at the corresponding applied voltage limits. As the applied voltage increases, the trigger voltage required for triggering decreases. It is assumed that the trigger is applied across the trigger and adjacent main electrodes. Higher trigger voltages are required if it is applied across the trigger and opposite main electrodes.

⁽²⁾ End point for the life testing is a 20% reduction in the main static breakdown voltage.

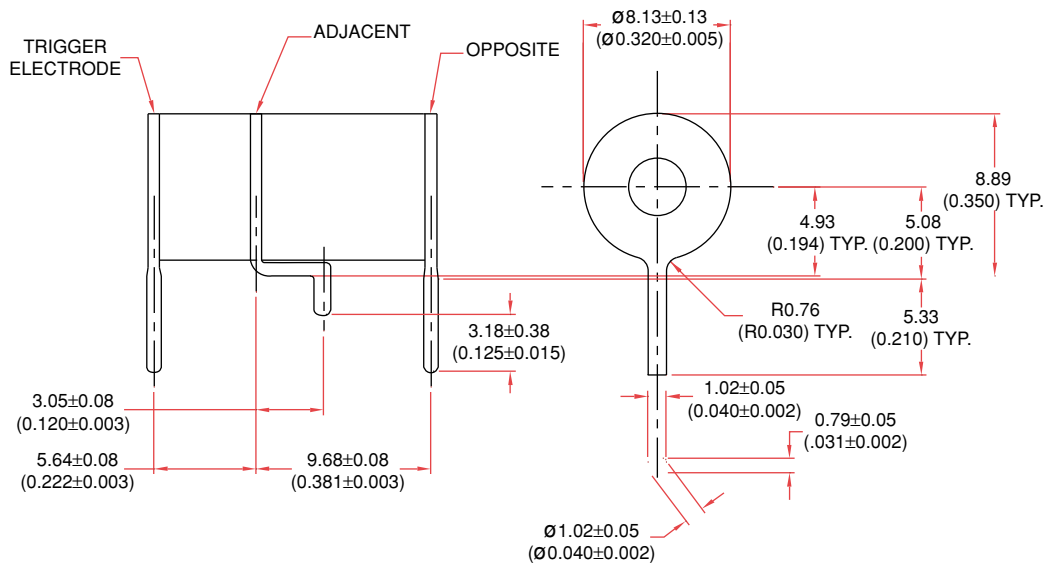
⁽³⁾ The Pulse Energy is the stored energy which the spark gap can dissipate per discharge, during intermittent duty, without permanently changing its breakdown ratings by more than 10%. The principal effect of excessive pulse energies is rapid electrode erosion and change in breakdown characteristics.

MECHANICAL DIMENSIONS mm/(inches)

Outline 01

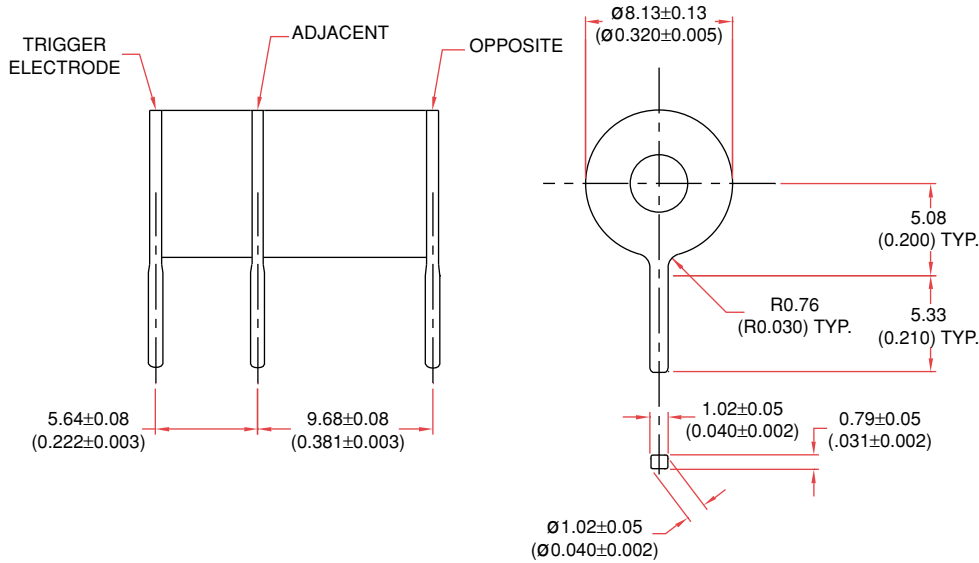


Outline 02

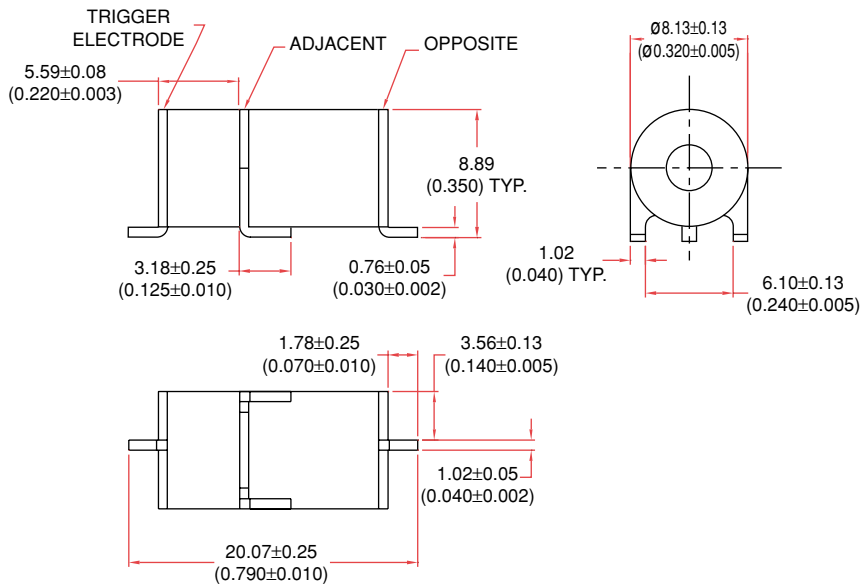


MECHANICAL DIMENSIONS
mm/(inches)

Outline 05



Outline S



Contact Information:

High Energy Devices, LLC
26 Hollenberg Court
Bridgeton, MO 63044
Phone: 314.291.0030
Fax: 314.291.8184
E-mail: info@highenergydevices.com
www.highenergydevices.com

HIGH ENERGY DEVICES, LLC MAKES NO REPRESENTATIONS OR WARRANTIES WITH RESPECT TO THE ACCURACY OR COMPLETENESS OF THE CONTENTS OF THIS PUBLICATION AND RESERVES THE RIGHT TO MAKE CHANGES TO SPECIFICATIONS AND PRODUCT DESCRIPTIONS AT ANY TIME WITHOUT NOTICE. NEITHER CIRCUIT PATENT LICENSES NOR INDEMNITY ARE EXPRESSED OR IMPLIED. EXCEPT AS SET FORTH IN HIGH ENERGY DEVICES' STANDARD TERMS AND CONDITIONS OF SALE, HIGH ENERGY DEVICES, LLC ASSUMES NO LIABILITY WHATSOEVER, AND DISCLAIMS ANY EXPRESS OR IMPLIED WARRANTY, RELATING TO ITS PRODUCTS INCLUDING, BUT NOT LIMITED TO, THE IMPLIED WARRANTY OF MERCHANTABILITY, FITNESS FOR A PARTICULAR PURPOSE, OR INFRINGEMENT OF ANY INTELLECTUAL PROPERTY RIGHT.

THE PRODUCTS DESCRIBED IN THIS DOCUMENT ARE NOT DESIGNED, INTENDED, AUTHORIZED OR WARRANTED FOR USE AS COMPONENTS IN SYSTEMS INTENDED FOR SURGICAL IMPLANT INTO THE BODY, OR IN OTHER APPLICATIONS INTENDED TO SUPPORT OR SUSTAIN LIFE, OR WHERE MALFUNCTION OF HIGH ENERGY DEVICES' PRODUCT MAY RESULT IN DIRECT PHYSICAL HARM, INJURY, OR DEATH TO A PERSON OR SEVERE PROPERTY OR ENVIRONMENTAL DAMAGE. HIGH ENERGY DEVICES, LLC RESERVES THE RIGHT TO DISCONTINUE OR MAKE CHANGES TO ITS PRODUCTS AT ANY TIME WITHOUT NOTICE.

Specification: TX Series
©Copyright 2002, High Energy Devices, LLC
All rights reserved. Printed in USA
November 2013.